

AHD Mini Vandal Dome IR Camera for Vehicle (Full HD 1080p, 2.1MP, STARVIS, 12 IR LED)



STARVIS

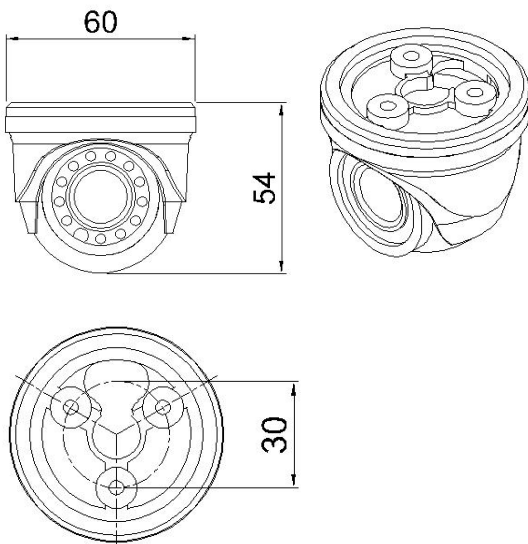
FULL HD
1920x1080

HHV-RV2

FEATURES

- 1/2.8" 2.1MP SONY IMX307 CMOS SENSOR
- ISP NEXTCHIP NVP2441H
- AHD 2.0 : 1080P (30fps), Full HD Resolution
- 3.6mm Fixed Lens, 12 IR LED (940nm Invisible)
- Min. Illumination
Color DSS : 0.0002 Lux / BW DSS : 0.0001 Lux
- 2D DNR (Digital Noise Reduction)
- WDR (Wide Dynamic Range)
- Defog : Defogging foggy video image
- Anti-lighting Protection Design
- Aluminum Die-casting Body, Anodizing Coating
- For Outdoor Side View (Left, Right)
- For Indoor Ceiling Mount
- IP67, IK10 for Indoor / Outdoor

DIMENSION



CAMERA SPECIFICATIONS

Effective Pixels	1945(H) x 1097(V) Approx. 2.13M
Total Pixel	1945(H) x 1109(V) Approx. 2.16M
Shutter Speed	Auto / Manual (1/30(1/25) ~1/60000)/ Flicker
Image Sensor	1/2.8" 2.1Mega SONY STARVIS CMOS
Resolution	1080p (Full HD), 30 fps
Lens	3.6mm Mega Pixel Lens
IR LED	12 IR LED, 940nm
S/N Ratio	More than 53dB
Sens-up	x2 / x4 / x8 / x16 / x32
Min. Illumination	Color DSS: 0.0002 Lux BW DSS : 0.0001 Lux
Smart IR	Off / On
E. Zoom	x1 ~ x8
Defog	On/Off
DNR (3D + 2D)	Off / Low / Middle /High
White Balance	Auto / Auto Ext / Preset / Manual
WDR / BLC / HLC	Off/WDR(Low / Middle / High) BLC / HLC
Video Output	AHD
Power Input	DC 12V ± 10%
Power Consumption	Normal : 80mA (IR LED On : Max. 180mA)
Operating Temperature	-20°C ~ +60°C
Dimension	Ø 60 (W) x 54 (H) mm